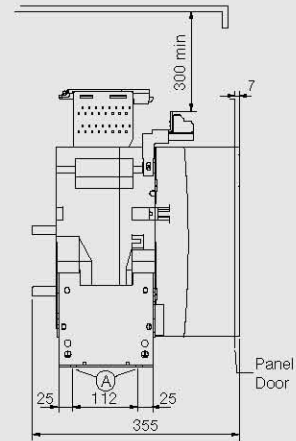
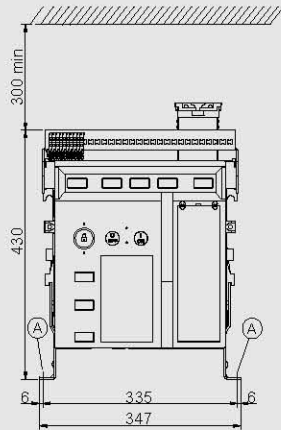
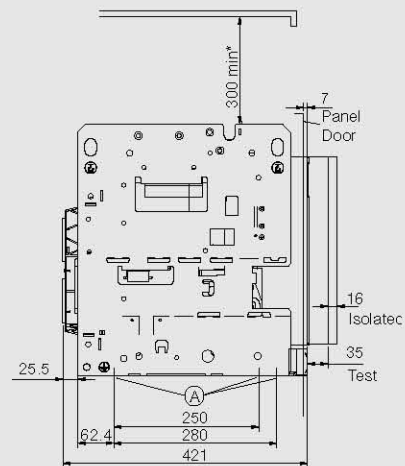
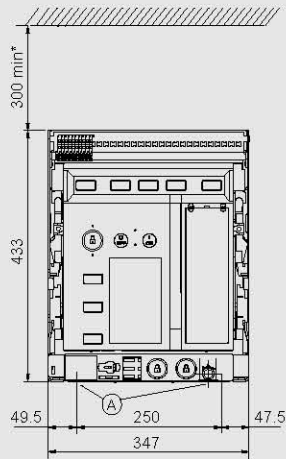


Mounting details

Frame I, 3 Pole
Fixed Type Air Circuit Breaker



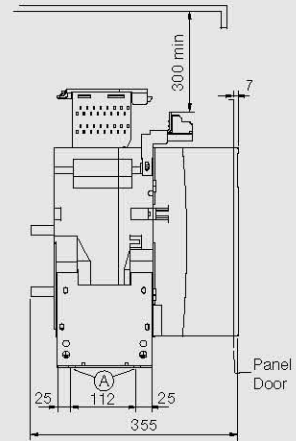
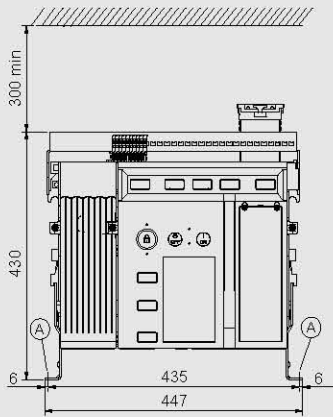
Drawout Type Air Circuit Breaker



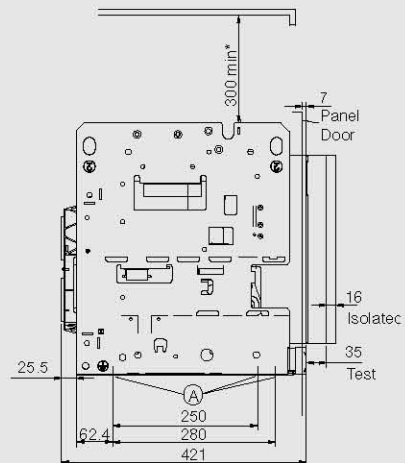
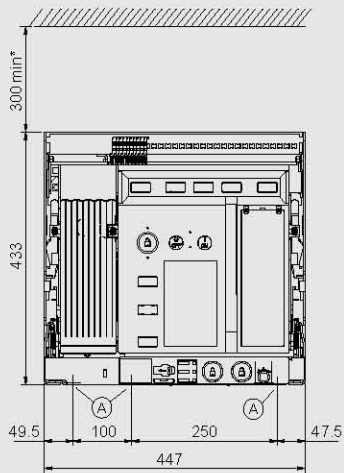
Ⓐ Mounting holes suitable for M10

* Lower clearance of 45mm can be achieved with Arc shield cover
All Dimensions in mm

Frame I, 4 Pole
Fixed Type Air Circuit Breaker



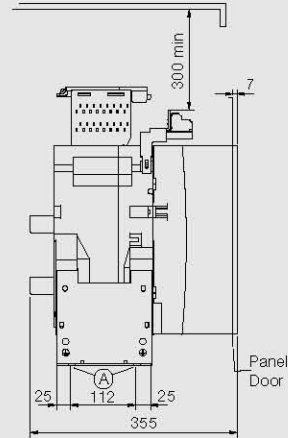
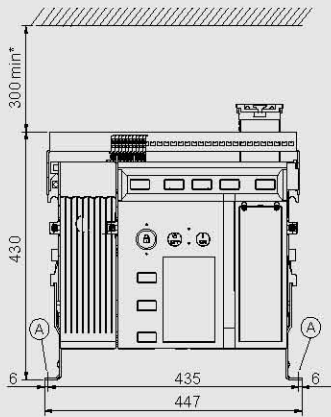
Drawout Type Air Circuit Breaker



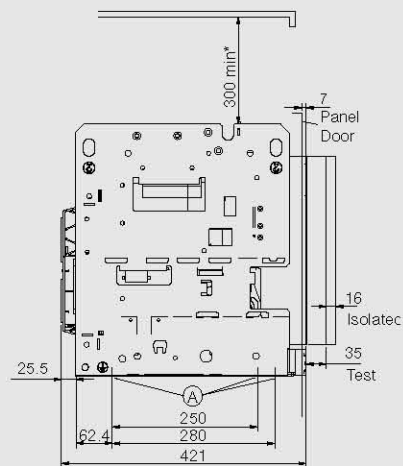
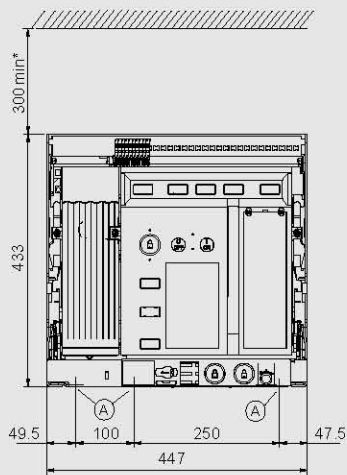
Ⓐ Mounting holes suitable for M10

* Lower clearance of 45mm can be achieved with Arc shield cover
All Dimensions in mm

Frame II, 3 Pole
Fixed Type Air Circuit Breaker



Drawout Type Air Circuit Breaker

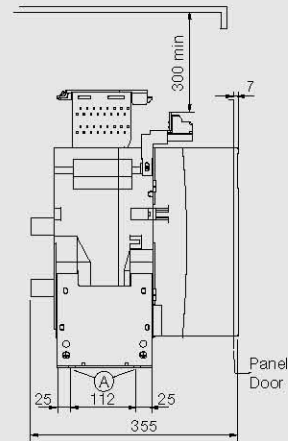
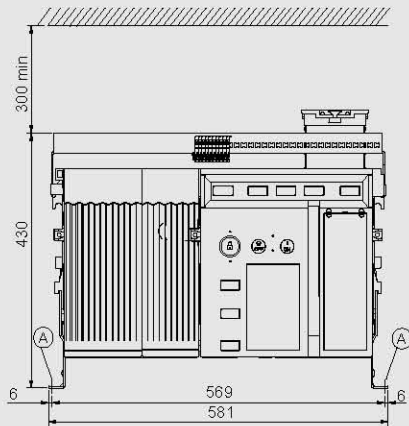


Ⓐ Mounting holes suitable for M10

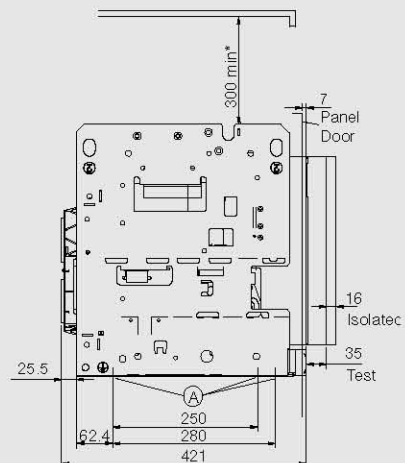
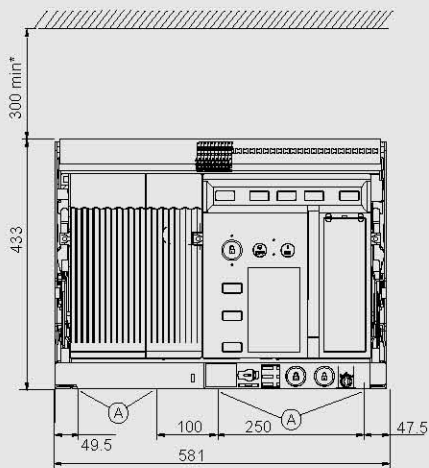
* Lower clearance of 45mm can be achieved with Arc shield cover
All Dimensions in mm

Mounting details

Frame II, 4 Pole
Fixed Type Air Circuit Breaker



Drawout Type Air Circuit Breaker

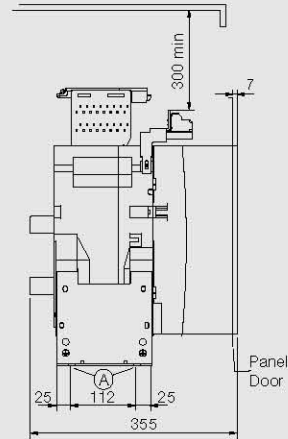
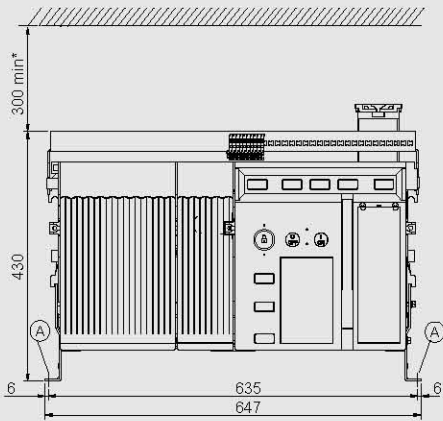


Ⓐ Mounting holes suitable for M10

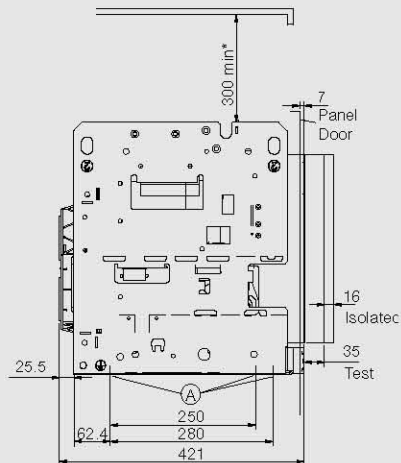
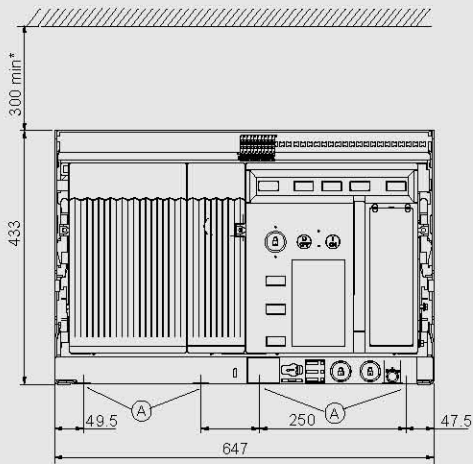
* Lower clearance of 45mm can be achieved with Arc shield cover
All Dimensions in mm

Mounting details

Frame III, 3 Pole Fixed Type Air Circuit Breaker



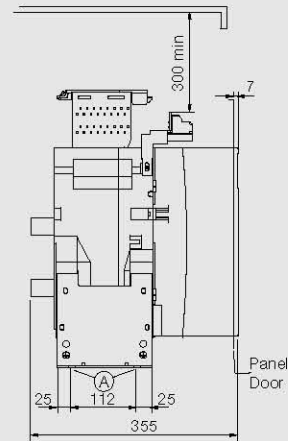
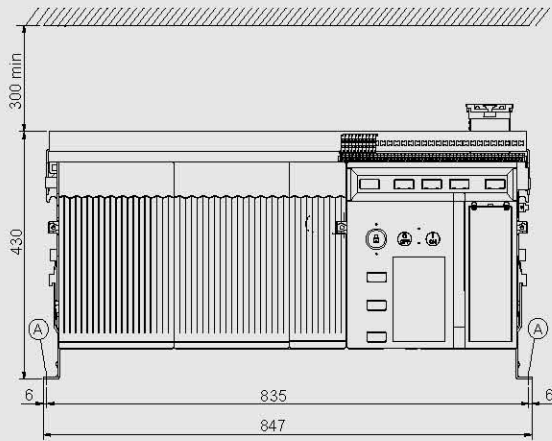
Drawout Type Air Circuit Breaker



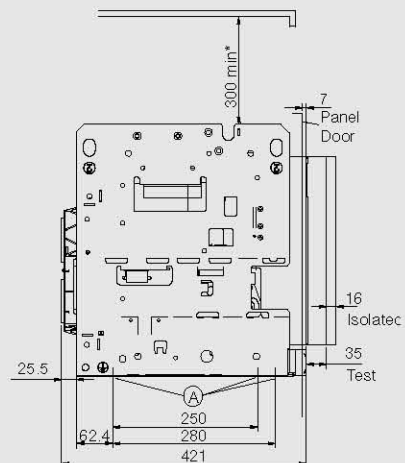
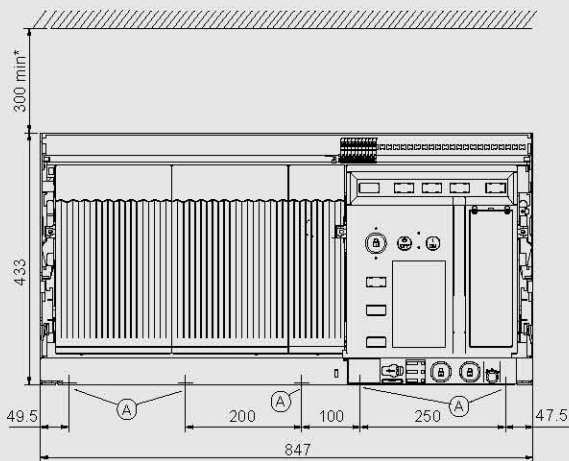
Ⓐ Mounting holes suitable for M10

* Lower clearance of 45mm can be achieved with Arc shield cover
All Dimensions in mm

Frame III, 4 Pole
Fixed Type Air Circuit Breaker



Drawout Type Air Circuit Breaker



Ⓐ Mounting holes suitable for M10

* Lower clearance of 45mm can be achieved with Arc shield cover
All Dimensions in mm