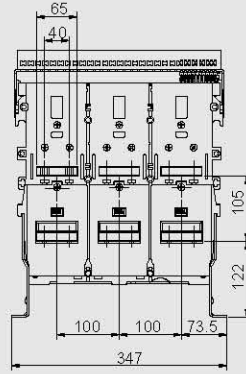
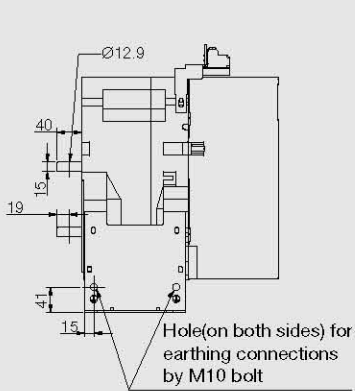
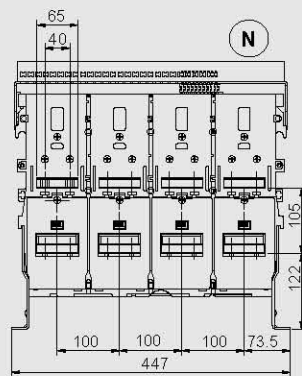
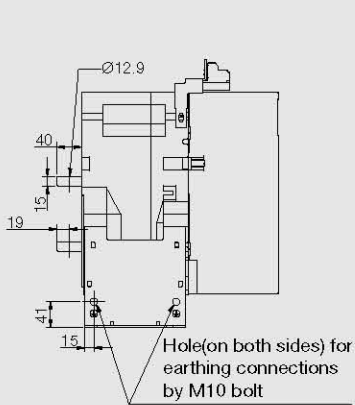


Fixed Type ACB
Frame I, 3 Pole

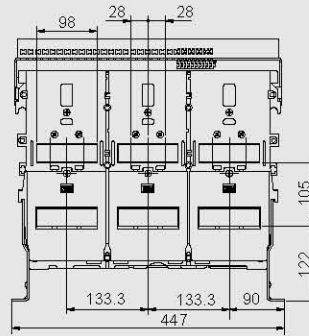
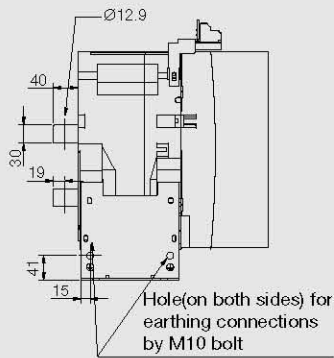


Frame I, 4 Pole

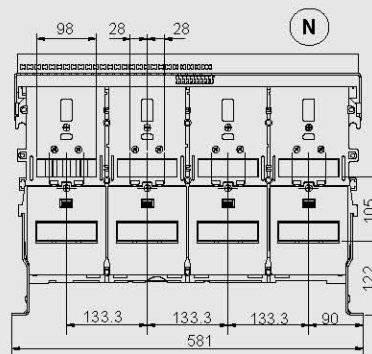
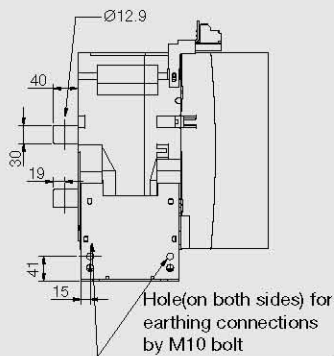


* M12 bolts to be used for link termination
All dimension in mm

Fixed Type ACB
Frame II, 3 Pole

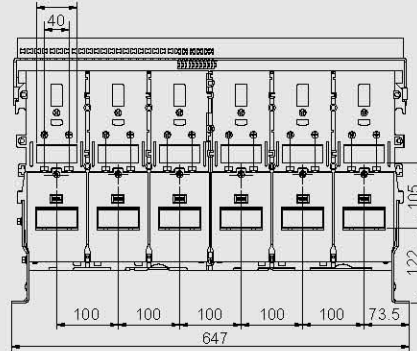
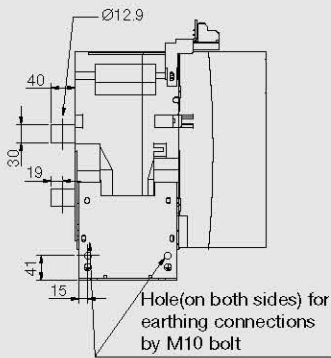


Frame II, 4 Pole

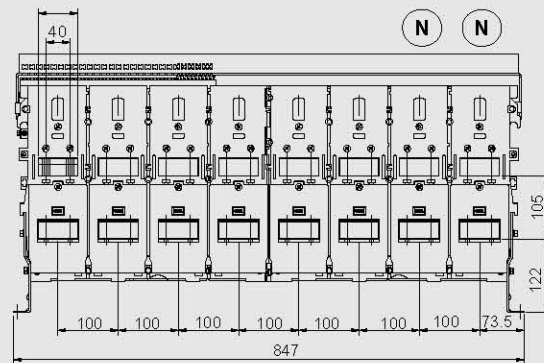
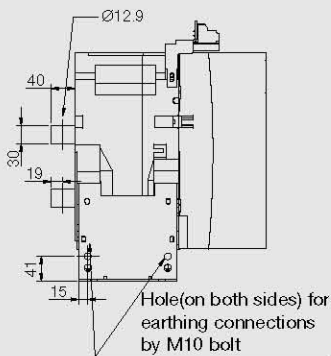


* M12 bolts to be used for link termination
All dimension in mm

Fixed Type ACB
Frame III, 3 Pole



Frame III, 4 Pole



* M12 bolts to be used for link termination
All dimension in mm